

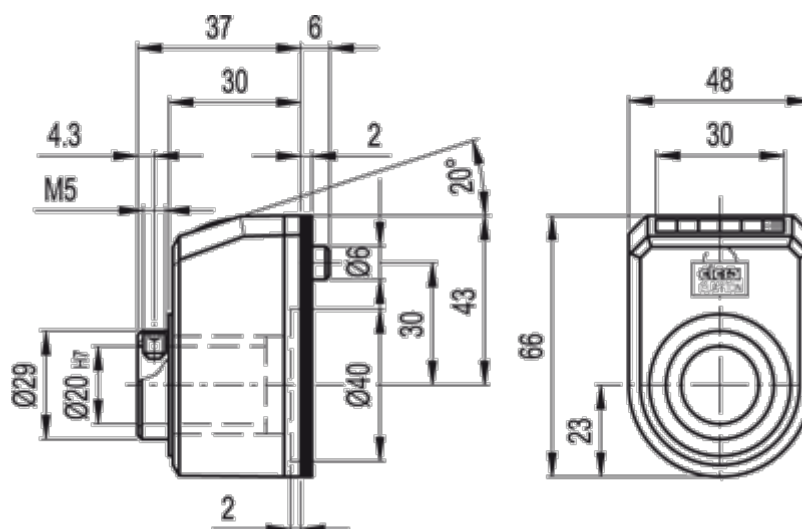
# Data Sheet



Article number: 2307082199

Description: E+G Direct drive position indicator  
DD52R-AN-0002.5-D-C2 (Orange)

## Measures



Max rpm = 1000